

MOPTIM



Slit Lamp

SL-M6

SL-M6 SLIT LAMP

SEE THE DIFFERENCE

The slit lamp is an essential instrument for daily practice. Moptim presents the SL-M6, a classy slit lamp with remarkable optical quality, precise mechanics and elegant design.



Outstanding Optics

- Galilean microscope with a five-step magnification changer by drum rotation
- The convergent binocular eyepieces allow comfortable fatigue-free daily use
- Apochromatic optical system to reduce chromatic aberrations
- Wide binocular field of view with high resolution and depth of focus



Illumination System

- Long-lasting LED illumination systems
- LED illumination with a colour temperature similar to halogen lamp provides bright, sharp and homogeneous light



Superior Mechanics

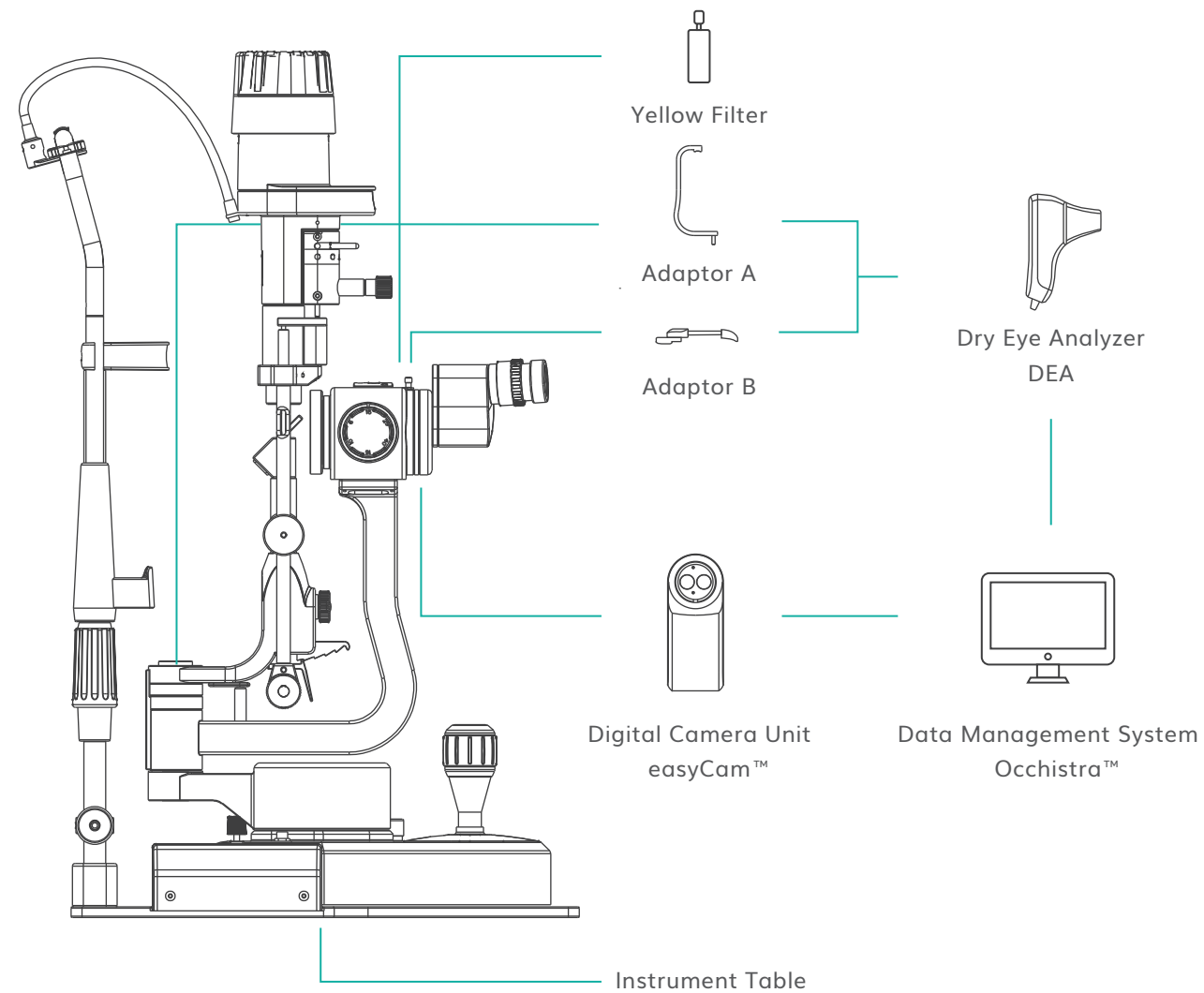
- Smooth base movement for fine focusing
- Precise slit adjustment
- Solid and stable mechanical structure

Elegant Design

- Elegant silver colour
- Superfine metal surface finishing



THE SYSTEM

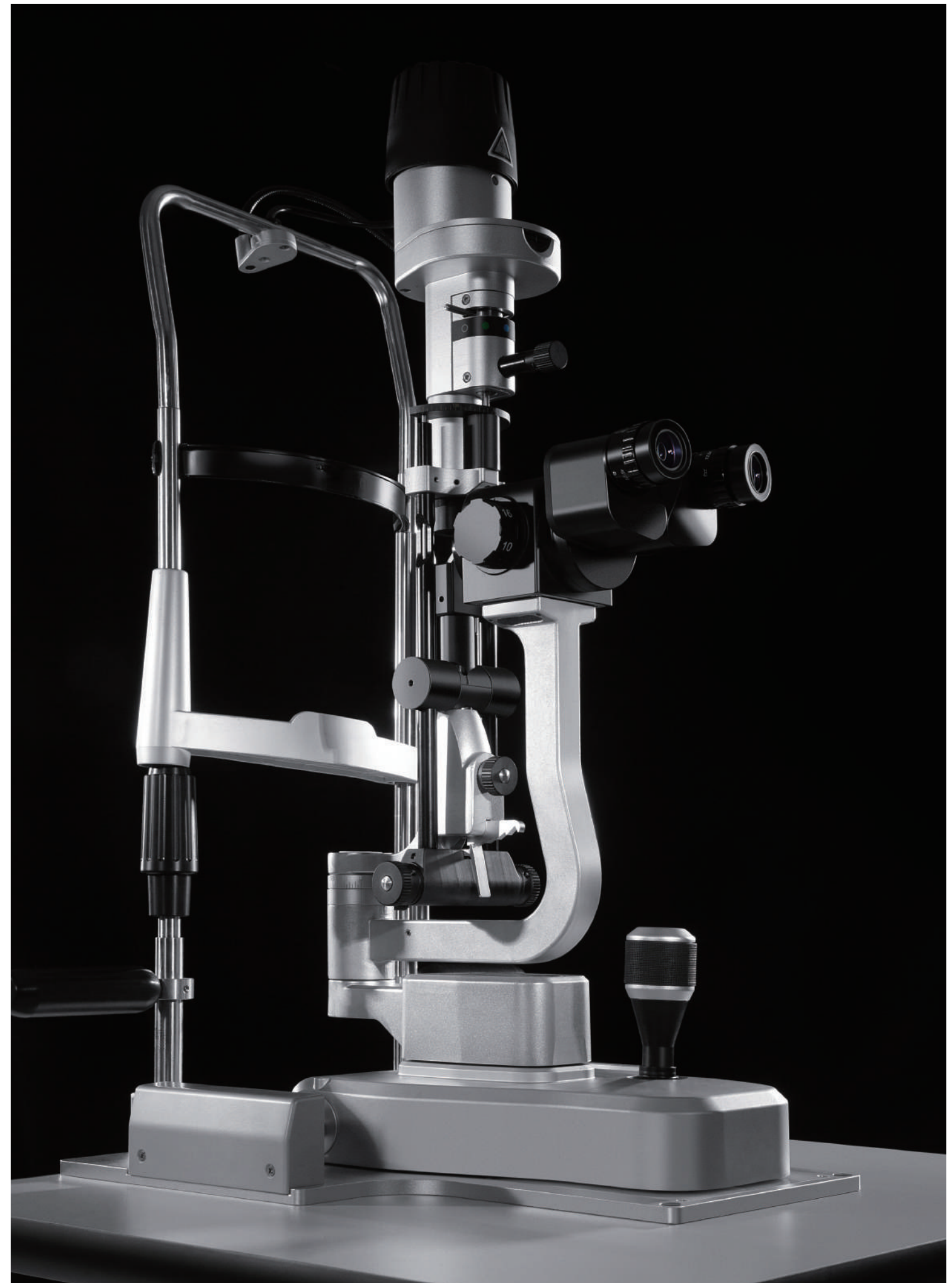


Yellow Filter

The yellow filter enhances the contrast of the fluorescein image and reduces glare for clear observation of the eye.

Digital Camera Unit

The SL-M6 can be easily upgraded to a digital slit lamp by adding the easyCam, a high-performance digital camera unit from Moptim.





UPGRADE YOUR PRACTICE

easyCam™ Digital Camera Unit

The easyCam is a digital camera unit that can fit majority of slit lamps in the market. With its outstanding camera sensor, it allows the user to take high resolution photo without using backlight. It is provided with a wireless shutter which makes the operation smooth and comfortable. The images and videos can be transferred to PC by USB or to mobile device wirelessly.



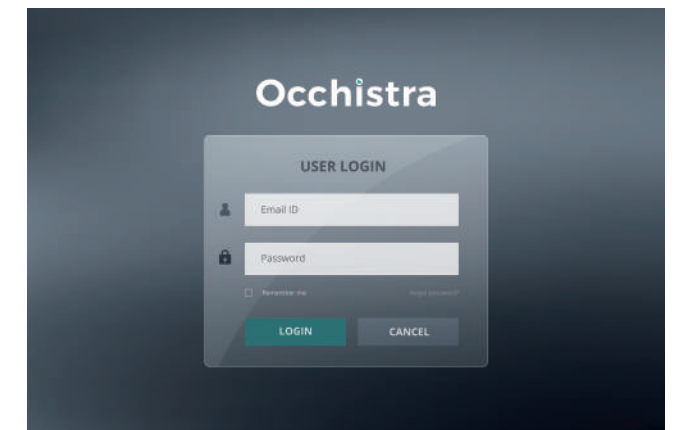
DEA Dry Eye Analyzer

DEA is an innovative device for complete dry eye diagnosis. It can be mounted on a slit lamp with the adaptor provided. The patient data can be analyzed and managed via the Occhistra Data Management System.



Occhistra™ Data Management System

Occhistra is a software platform designed for acquisition, analysis, storage and management of ophthalmic data collected by Moptim devices. The seamlessly connection between Occhistra and Moptim devices significantly improves the efficiency and effectiveness of practice.



SPECIFICATIONS

MICROSCOPE	
Type	Galilean type
Magnification	Drum, 5-step magnification
Magnification Steps	6x / 10x / 16x / 25x / 40x
Overall Magnification	φ 33 mm, φ 21 mm, φ 13 mm, φ 8.3 mm, φ 5.3 mm
Eyepieces	12.5x
Diopter Adjustment Range	-6.00 D to +6.00 D
PD Adjustment Range	55 to 72 mm
ILLUMINATION UNIT	
Slit Width	0 - 14 mm continually
Slit Length	0 - 14 mm continually
Aperture Diameter	0.2 / 1 / 3 / 4 / 6 / 10 / 14 mm
Filters	Heat-absorbing, grey, red-free, cobalt blue
Light Source	LED
BASE AND CHIN UNIT	
Base Unit Adjusting Range	0 - 100mm (left-right) 0 - 58mm (forward-back)
Chin Unit Adjusting Range	80 mm (vertical)
Fixation Lamp	LED
OTHER SPECIFICATIONS	
Power Supply	100 – 240 V AC, 50 / 60 Hz
Weight	18 kg

* Specifications are subject to change due to product improvement.

