

OPM500 Operating Microscope

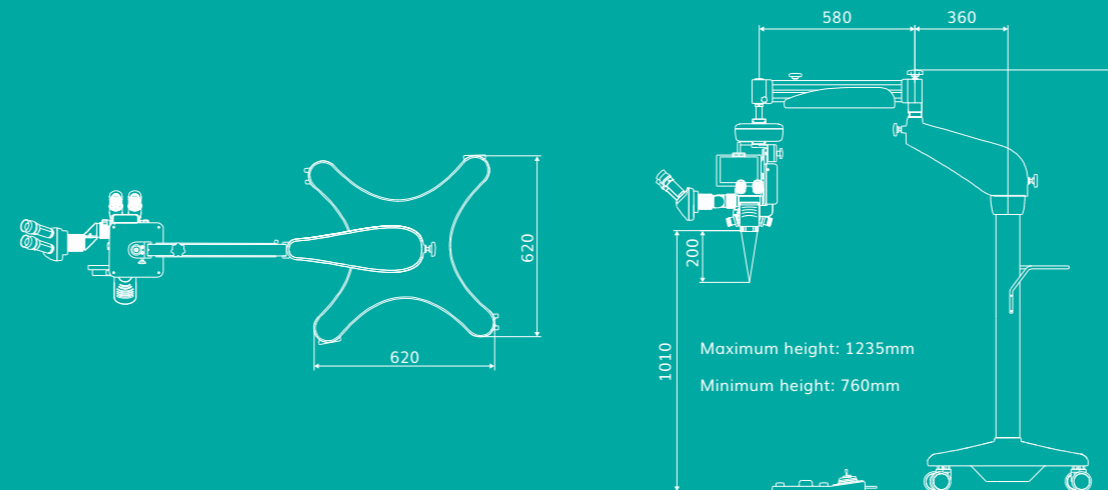
SUPERIOR OPTICS FOR SURGICAL PRECISION



SPECIFICATIONS

		OPM500	OPM500C
MICROSCOPE			
Optics	Apochromatic optics	•	•
Magnification changer	5-step - 6.4x, 10x, 16x, 25x, 40x	Manual/motorized	Manual/motorized
Focusing	Motorized, 40mm, adjustable speed, reset button	•	•
Objective	f = 200 mm	•	•
Eyepiece	10x wide-field eyepieces for eye-glasses wearers Diopter adjustment +/- 5	•	•
Foot control panel		8-function	4-function
XY coupling	Motorized, positioning range at 40 x 40 mm with reset button, adjustable speed	•	
LED-illumination	Coaxial illumination, integrated red-reflex illumination Adjustment of light intensity Long-lasting LED-illumination free of UV and IR 2 free openings for selectable filters	•	•
STAND			
Type		Floor stand	Table mounted
Base	Compact foot with 4 movable rollers, 4 foot brakes Maximum reach: 1070mm	•	
VIDEO SYSTEM			
Type	Integrated HD Video record system	•	•
Video/photo	Resolution: 1920x1080	•	•
Storage time	>6h	•	•
ACCESSORIES			
Assistant binocular	Stereo co-viewer, 45°	Optional	Optional
Beam splitter	50/50% or 70/30%	Optional	Optional

*Specifications are subject to change due to product improvement.



MOPTIM

Shenzhen Certainn Technology Co., Ltd.
 Add: L302, Bldg.2, Skyworth Innovation Valley, No.8 Tangtou 1st
 Road, Tangtou Community, Shiyan Subdistrict, Bao'an District,
 518108 Shenzhen, P.R.China
 www.moptim.com sales@moptim.cn
 Tel: +86 0755 8408 4505 Fax: +86 0755 8406 4430

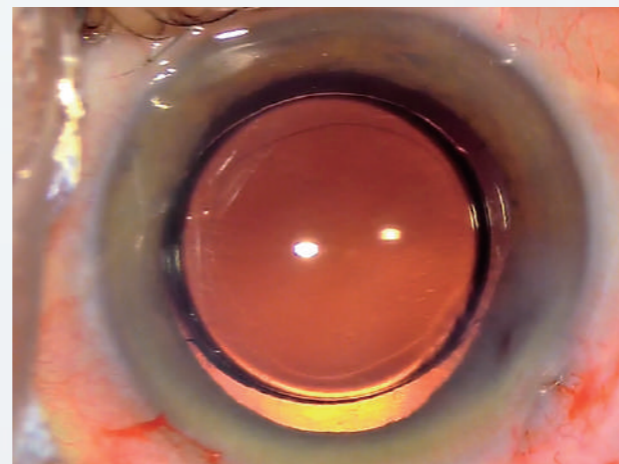
Distributed by



MOPTIM



Operating Microscope
OPM500



FEATURES

Apochromatic Optics

The OPM500 system's advanced optical design delivers exceptional depth of field, image quality, and clarity. Furthermore, apochromatic lenses are employed to minimize chromatic aberration, ensuring optimal visual performance.

Long-lasting LED Illumination

The LED light source provides brilliant, high-contrast, and consistent red reflex, while the long-lasting LED illumination ensures uninterrupted surgery, significantly boosting efficiency and performance.

Superior Mechanics

The OPM500 features precision-engineered mechanics, ensuring seamless and effortless maneuverability throughout surgical procedures.

Integrated HD Video System

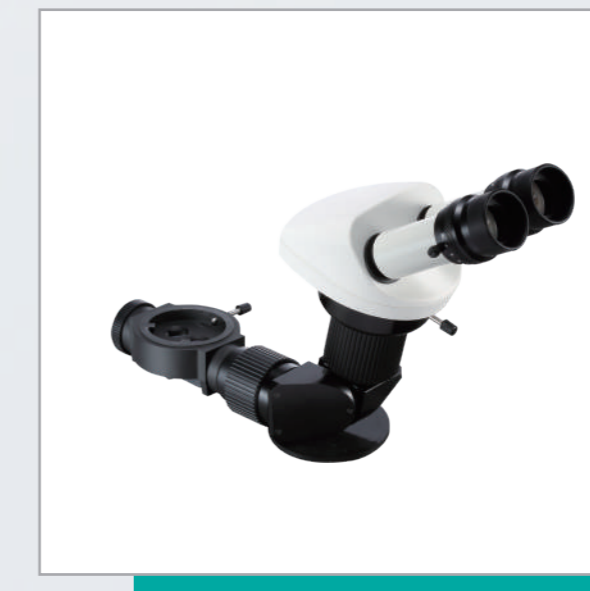
The OPM500's exceptional integrated HD video system enables seamless recording of surgical procedures without requiring a PC. Video records can be saved directly to an SD card or simultaneously displayed on a screen via HDMI. Furthermore, its innovative optical design allows for 100% light transmission to both the camera and eyepiece, ensuring optimal clarity and performance.

Teaching Possibilities

The OPM500, available in a table-mounted style, combines high-resolution video capabilities with exceptional optical quality, making it an ideal solution for educational purposes.



ACCESSORIES



Assistant binocular and beam splitter



APO objective lens